

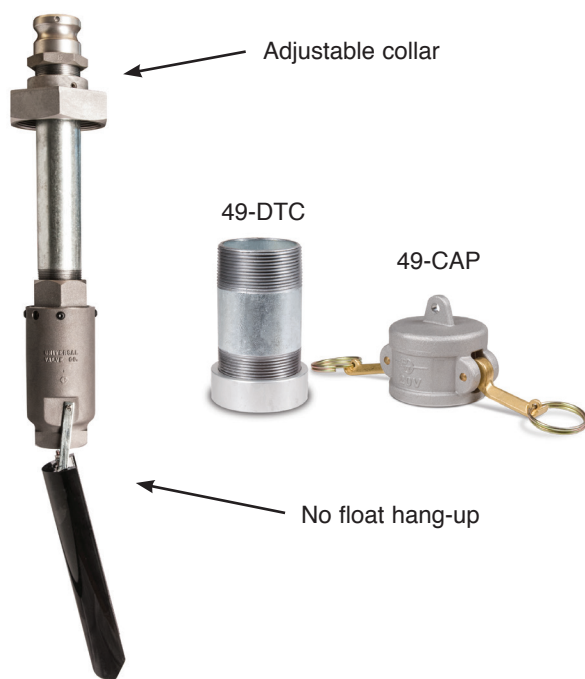
OVERFILL PROTECTION VALVES

AST/UST VALVE

Application -

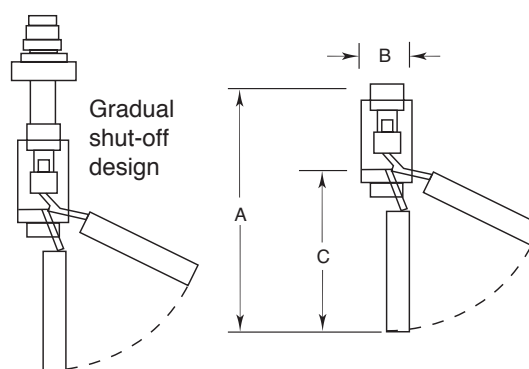
Prevent overfills in AST's and UST's.

Part Number - 49



UNIVERSAL Advantage

The best overfill protection available today. No line shock and gradual shut-off to eliminate any stress on the system.



U.L. Approved for both Pressure and Gravity Fill Applications. No Minimum Flow Rate Required.

Features -

- ✓ No line shock, gradual shut-off design
- ✓ No stress on system
- ✓ No float hang-up
- ✓ Prevents overfills reducing contamination and costly clean-up
- ✓ Completely automatic operation
- ✓ Easily retro-fitted to existing tanks
- ✓ Shipped with fill adapter
- ✓ Adjustable collar provides simple installation
- ✓ Minimal pressure drop
- ✓ Compatible with E-85 (Model E-49)

Construction -

- Hard coated aluminum pipe adapter
- Zinc plated steel linkage
- Reinforced closed cell float

Model	Fill Adapter Size	Weight (lbs.)	A	B	C
49-02	2"	10.0	22-3/8"	3-11/16"	15-3/4"
49-03*	3"	10.0	22-3/8"	3-11/16"	15-3/4"
E-49-02	2"	10.0	22-3/8"	3-11/16"	15-3/4"
E-49-03*	3"	10.0	22-3/8"	3-11/16"	15-3/4"

49-DTC attaches standard 2" Aluminum Drop Tube (sold separately)
49-Cap 2" Fill Cap (sold separately)

Replacement Parts

Part Numbers	Description
49-C-3	3x2 Adapter
49-C	2" Fill Adapter (Model 49-02)
49-CAP	2" Dust Cap (Model 49-02)
49-D	2" x 4" Adapter (Model 49-02)
49-L	Adapter O-Ring (Model 49-02)
49-O	Float (Model 49-02)
49-V	2" x 12" Nipple (Model 49-02)

*Model 49-03 is a 49-02 with a 3" fill coupler.

Notice: Universal Valve Co., products must be used in compliance with applicable federal, state, and local laws and regulations. Product selection should be based on physical specifications and limitations and compatibility with the environment and material to be handled. Universal Valve Co., makes no warranty of fitness for a particular use. All illustrations and specifications in this literature are based on the latest production information available at the time of publication. Prices, materials, and specification are subject to change at any time, and models may be discontinued at any time, in either case, without notice or obligation.